



ROBATA BEAST

Open grill with 4 cooking tiers



TECHNICAL INFORMATION

Reference	RM100
Fire up time*	30 min-avergae
Cooking temperature	250 °C
Initial charcoal load ¹	10 kg
Charcoal load duration ²	7h
Equivalent power*	4,5 kW
Exhaust rate	2800 m ³ /h
Crated size (W x D x H)	1120 x 1310 x 1380 mm
Net weight ³	240 kg
Crated weight ³	350 kg

*Approximate data

1. Consult instruction manual
2. Will vary depending on quality of charcoal
3. Weight with accessories included

FEATURES

The Mibrasa® Robata Beast is an open grill conceptualized and engineered for chefs in need of high production and versatility.

Equipped with 4 fixed levels, each of which offers extensive, adaptable and removable cooking surfaces that allow you to cook multiple ingredients. Execute varied cooking techniques from direct, vertical, skewer and spit-roast, among others to suit all types of gastronomy.

Guarantee maximum heat efficiency and a higher burning capacity of charcoal or firewood thanks to the base pit lined with refractory bricks.

Experiment with levels, temperatures and position of the grills to apply infinite cooking techniques at the same time.

INCLUDED ACCESSORIES

- 6 top and lower grills [RLTG100]
- 6 middle grills [RMG100]
- Ash shovel [PALA]
- Mibrasa tongs [TG]
- Grill brush [CEP]
- Ember poker [PK]

OPTIONAL ACCESSORIES

- Top and lower grill [RLTG100]
- Middle grill [RMG100]
- Gastronorm kit [SGN100]
- Espeto kit [KITESPRM100]
- Lid [TAPAGMB100]
- Spit-roast [SPIEDO100-BEAST]

Color



Edition



QUALITY GUARANTEE



Rev. 9/23

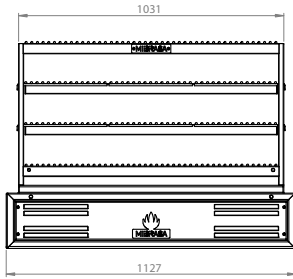
Mibrasa® Charcoal Ovens S.L

C/Joan Rovira i Bastons, 26
17230 Palamós - Spain

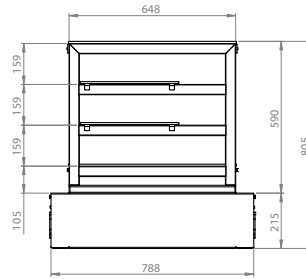
+34 972 601 942 - mibrasa@mibrasa.com

www.mibrasa.com

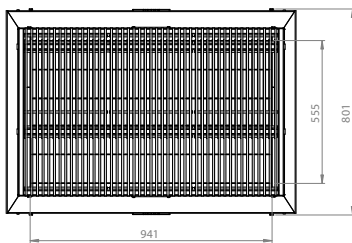
Front view



Side view



Top view

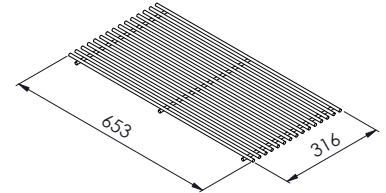


Dimensions in mm

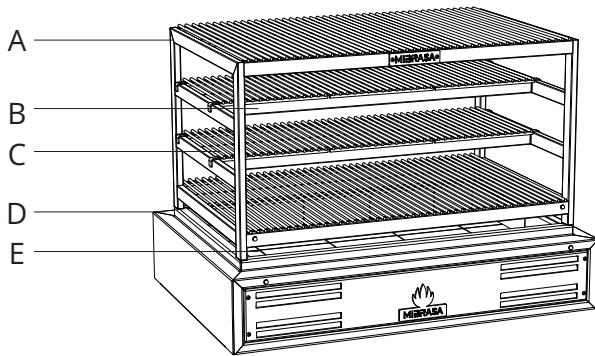
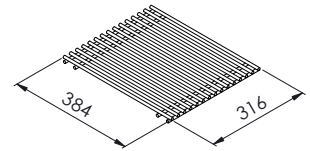
Revit drawings available on request at mibrasa@mibrasa.com

GRILL DIMENSIONS

Top and lower grill [RLTG100]



Middle grill [RMG100]



A	Structure
B	Support bars
C	Grill
D	Main body
E	Refractory bricks

INSTALLATION GUIDELINES AND SAFETY STANDARDS

Recommended installation height	700 mm
Clearances to construction/other appliances from the Robata Beast	76 mm
Clearances of flammable materials from the Robata Beast	300 mm
Clearance of workspace from front of the Robata Beast	700 mm



*It is recommended to use a lifting device to lift the Robata and place on the countertop/ stand. Consult Robata instruction manual for further information.

Specifications and design are subject to change without notice.

OPTIONAL COMPLETE STAND



TECHNICAL INFORMATION

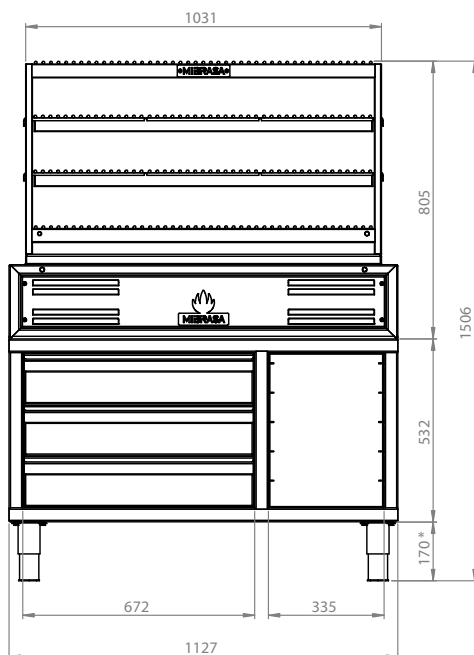
Reference	RM100 BEAST + MCGMB100
Crate dimensions (W x D x H)	1120 x 1310 x 2150 mm
Net weight	324 kg
Crated weight	434 kg

Reference	MCGMB100
Crate dimensions (W x D x H)	1120 x 1310 x 1380 mm
Net weight	84 kg
Crated weight	99 kg

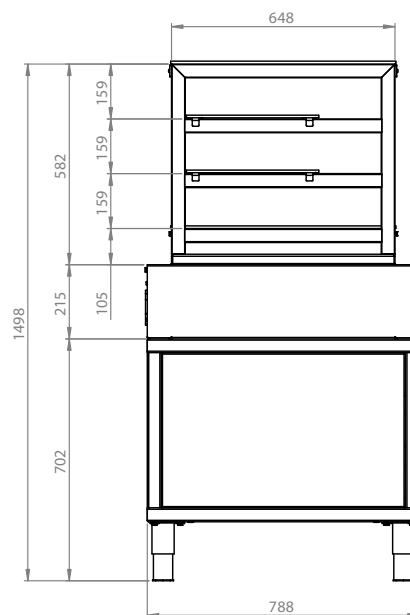
OPTIONAL ACCESSORIES

- Stainless steel casters [WINOXG]

FRONT VIEW



SIDE VIEW



Dimensions in mm

*Adjustable leg height: 135-195 mm

QUALITY GUARANTEE



Rev. 9/23

Mibrasa® Charcoal Ovens S.L
 C/Juan Rovira i Bastons, 26
 17230 Palamós - Spain
 +34 972 601 942 - mibrasa@mibrasa.com
 www.mibrasa.com

OPTIONAL STAND



TECHNICAL INFORMATION

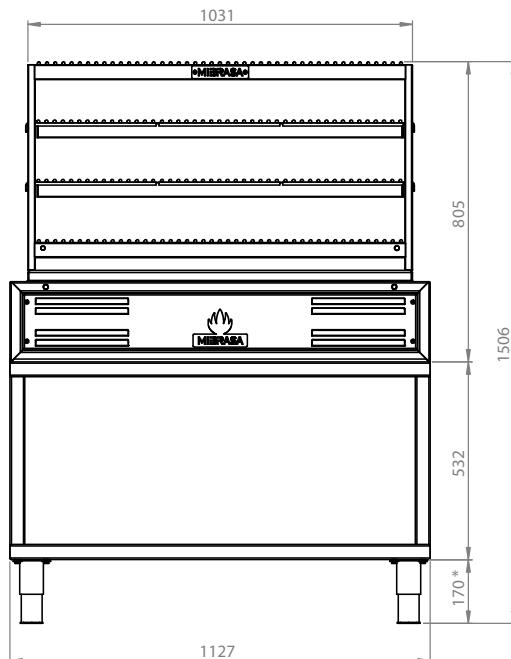
Reference	RM100 BEAST + MGMB100
Crate dimensions (W x D x H)	1120 x 1310 x 1900 mm
Net weight	275 kg
Crated weight	385 kg

Reference	MGMB100
Crate dimensions (W x D x H)	1120 x 1310 x 1380 mm
Net weight	35 kg
Crated weight	50 kg

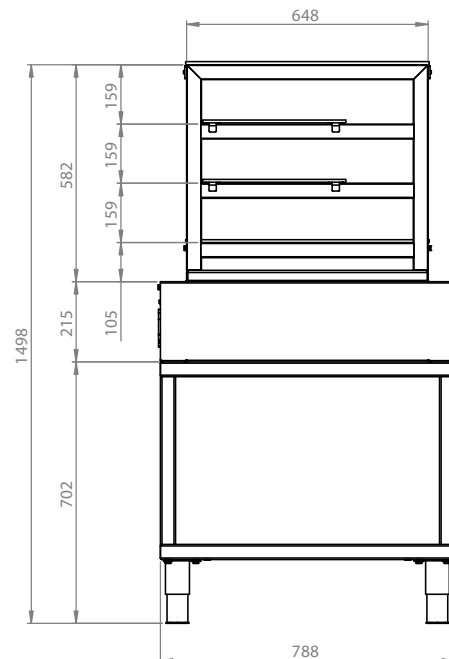
OPTIONAL ACCESSORIES

- Stainless steel casters [WINOXG]

FRONT VIEW



SIDE VIEW



Dimensions in mm

*Adjustable leg height: 135-195 mm